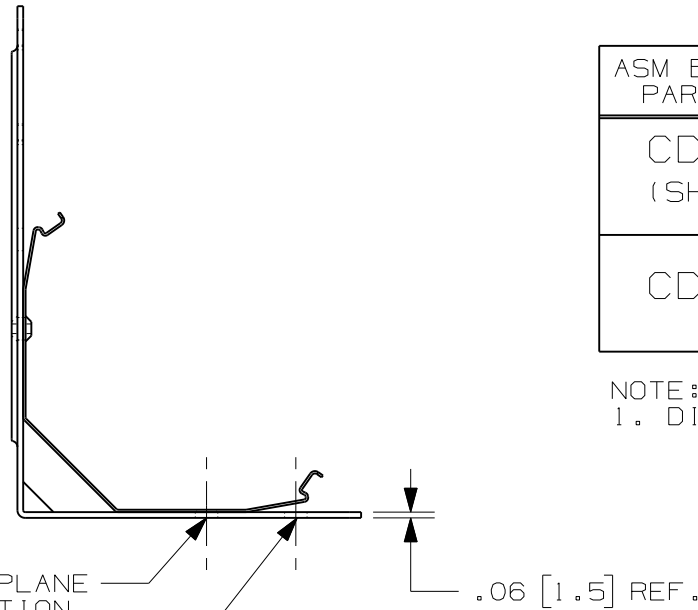
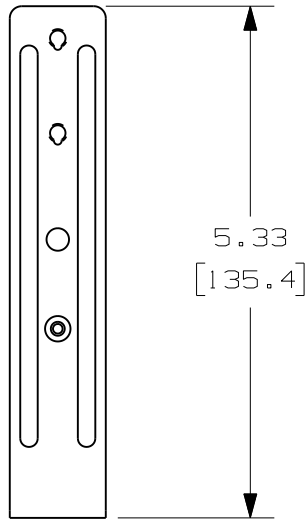
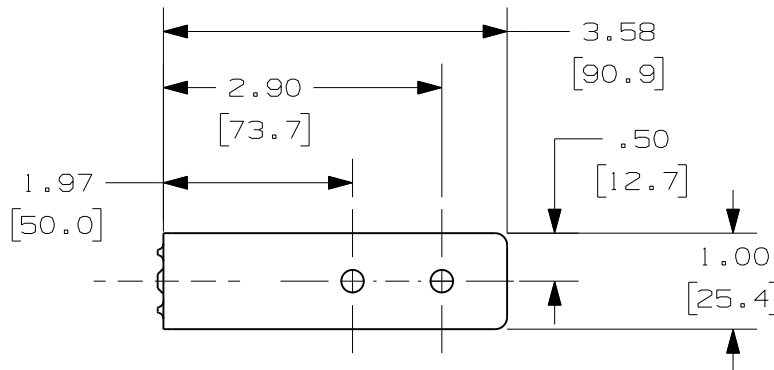


THIS COPY IS PROVIDED ON A RESTRICTED BASIS AND IS NOT TO BE USED IN ANY WAY DETRIMENTAL TO THE INTERESTS OF PANDUIT CORP.



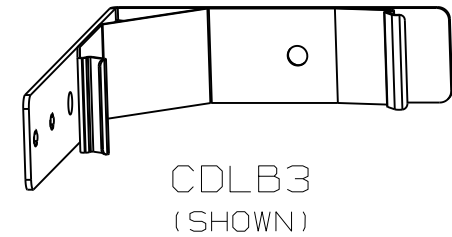
3" CORNER DUCT BACKPLANE
MOUNTING HOLE LOCATION

4" CORNER DUCT BACKPLANE
MOUNTING HOLE LOCATION



ASM BRACKET PART NO.	USED WITH	PACKAGE QTY
CDLB3 (SHOWN)	CWD3**6	16
CDLB4	CWD4**6	16

NOTE:
1. DIMENSIONS ARE IN INCHES (MILLIMETERS).



CAD FILENAME/LAYERS D39257AC_DC/01A

PANDUIT CORP. TINLEY PARK, ILLINOIS
CORNER DUCT "L" BRACKET
RIVETED ASSEMBLY
CUSTOMER DRAWING

UNLESS OTHERWISE SPECIFIED,
DIMENSIONAL TOLERANCES ARE:
(.X) ± .2 (5) (.XXX) ± .010 (.3)
(.XX) ± .02 (.5) ANGLES ± 5°

UNLESS OTHERWISE SPECIFIED,
ALL DIMENSIONS ARE GIVEN
IN INCHES, THIRD ANGLE PROJECTION.

DRAWN BY
JCST

MAT'L:
LOW CARBON STEEL
&
SPRING STEEL

SCALE
5X

DATE
10-15-07

CHK'D
HIW

DRAWING NO.
39257-07

DWG
A
SIZE

REV	DATE	BY	CHK	DESCRIPTION	ECN	R	CUST	SUP
R	10-15-07	JCST	HIW	DRAWING RELEASED TO PRODUCTION	39257-07	HIW	HIW	